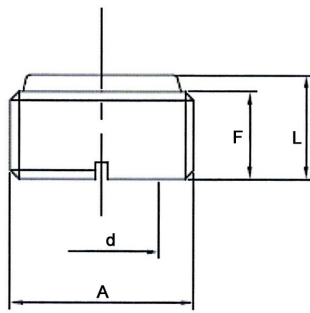


For reducing the exhaust noise generated by pneumatic equipment.

Operating pressure: Max. 10 bar
 Operating temperature: -10 °C to +250 °C
 Port: G thread acc. to DIN EN ISO 228-1
 Pore size: 100 to 120 µm



560-2

Silencer, sintered bronze, flat type with male thread

Art. No.	Type No.	Thread A	Ø d mm	F mm	L mm	Flow rate l/min	Noise level reduced
113364	560-1	G 1/8	6.0	4.0	6.0	960	20 dB(A)
113365	560-2	G 1/4	8.0	4.0	6.0	1920	20 dB(A)
113366	560-3	G 3/8	11.0	5.0	6.5	2880	20 dB(A)
113367	560-4	G 1/2	14.0	6.0	8.0	5280	20 dB(A)
113368	560-5	G 3/4	19.0	8.5	10.5	9120	20 dB(A)
113369	560-6	G 1	25.0	8.0	9.5	10000	20 dB(A)

Noise level measurements at $P_1 = 6$ bar, distance 1 m
 Flow at $P_1 = 6$ bar and $\Delta p = 1$ bar

- The use of silencers does not automatically reduce exhaust noise to a safe level.
The need for other noise-reducing measures, such as hearing protection, must be assessed as well.

- Uses and applications are the responsibility of the user. However, it is necessary to carry out appropriate tests before use in order to convince yourself of the desired function under the respective conditions.
All further claims, in particular liability for consequential damages, are excluded in principle.